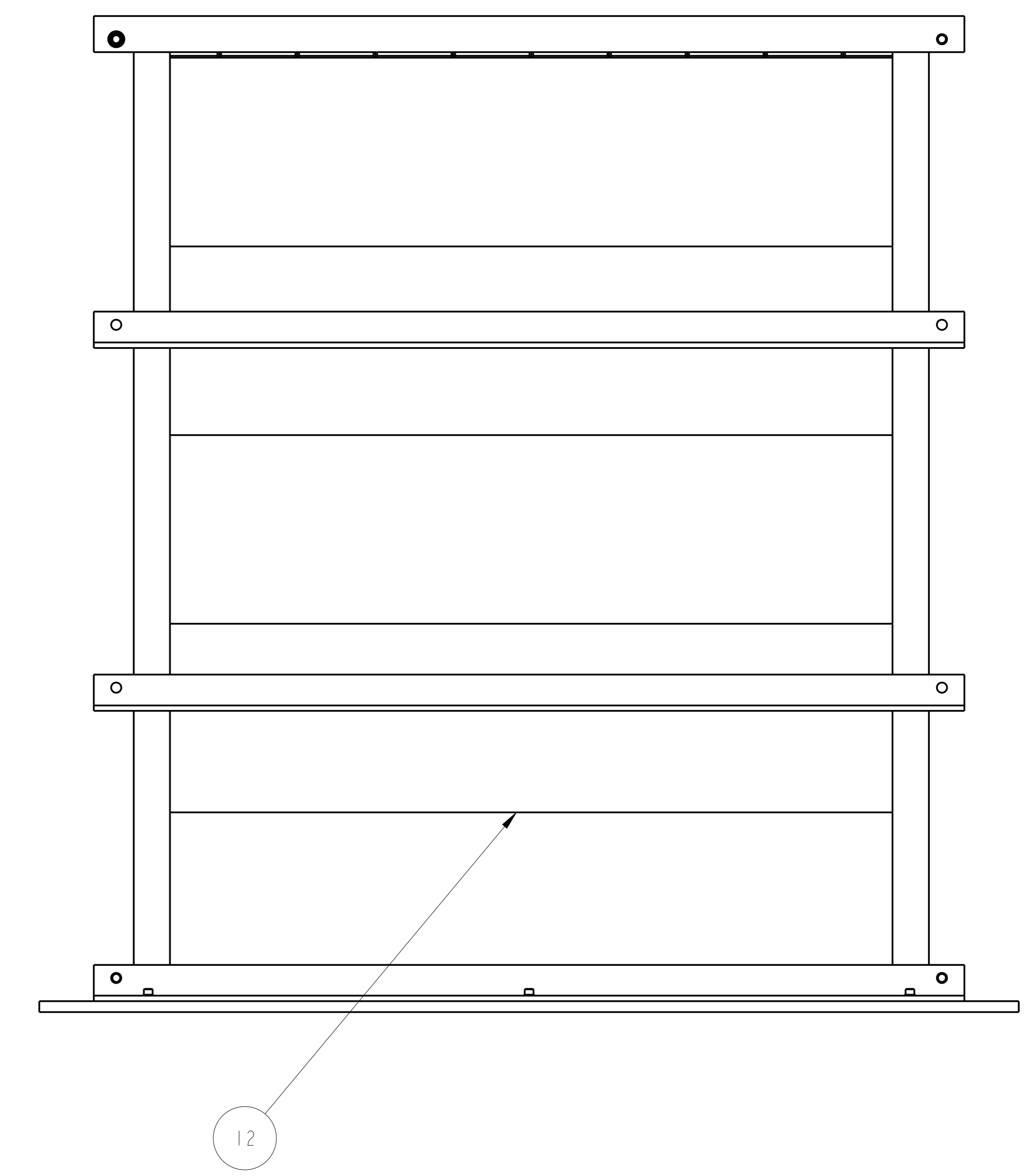
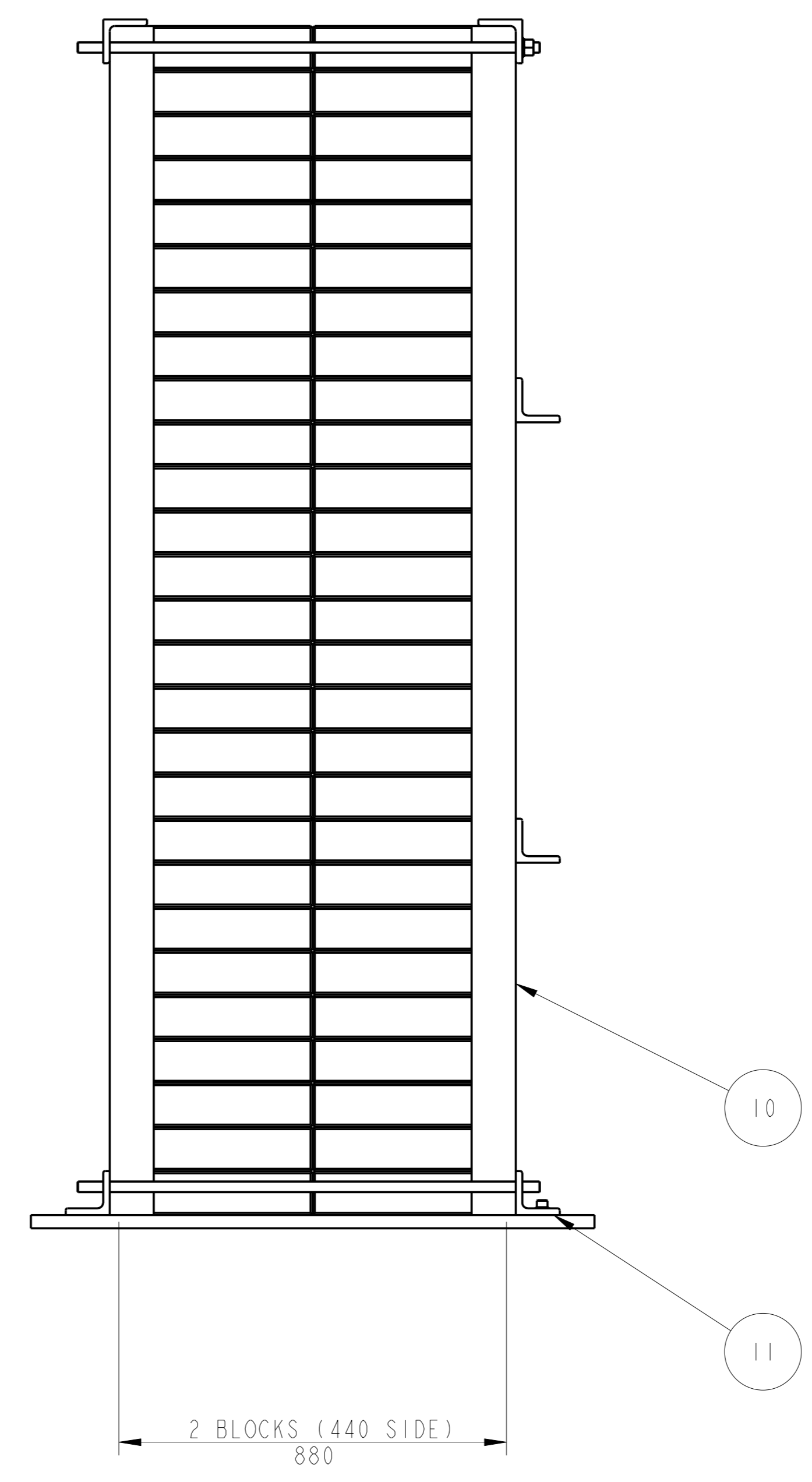
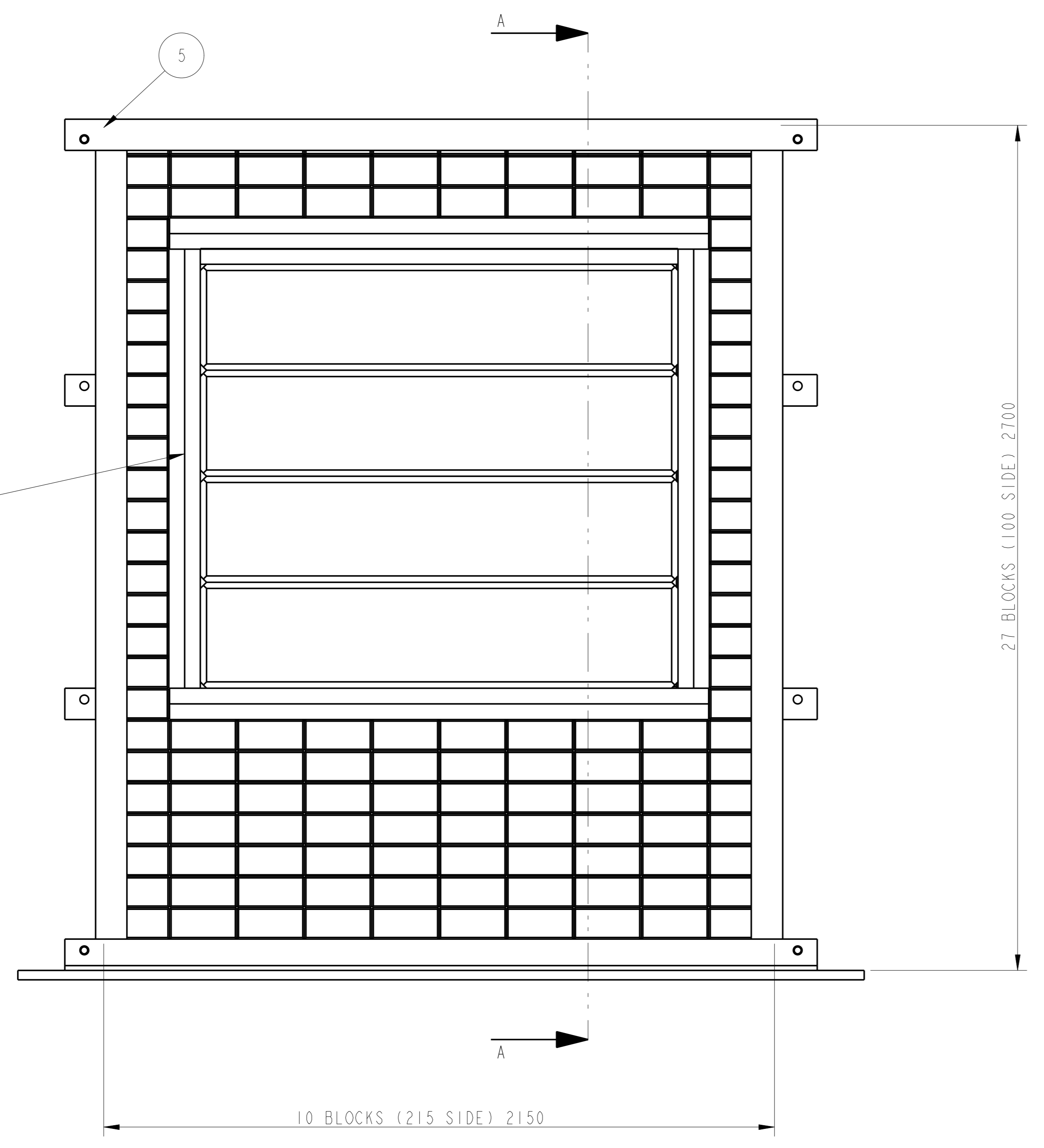
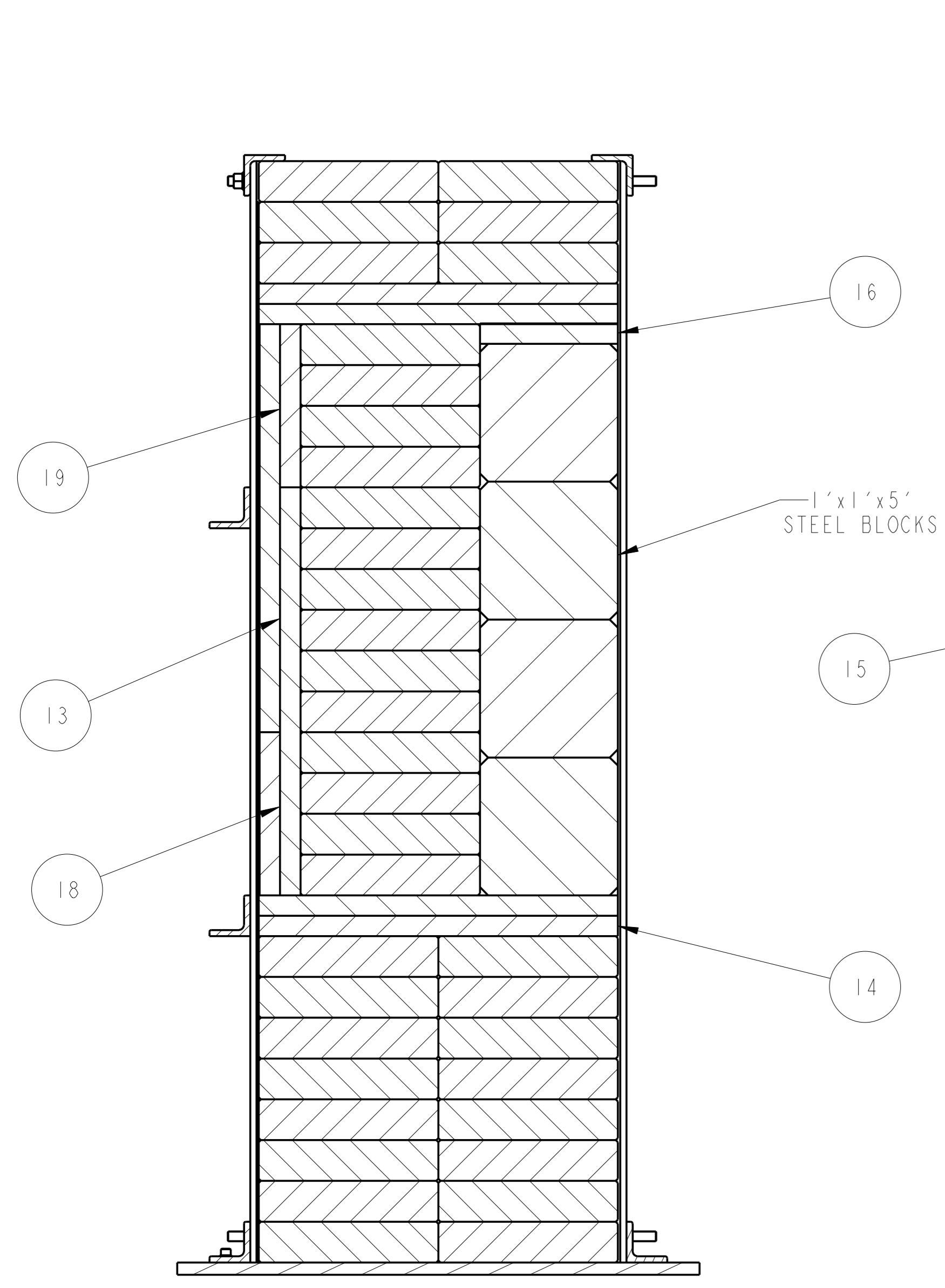


ITEM	DRG No. / CAT No.	TITLE	QTY	REMARKS
1	BEAM-STOP-01	.	4	.
2	BS-BLOCKS-01	.	1	.
3	BS-BLOCKS-02	.	1	.
4	BS-BLOCKS-03	.	2	.
5	BS-BLOCKS-05	.	1	.
6	M16_BS_WASHER	M16 BS BRIGHT METAL WASHER	3	.
7	M16_X30_CAP_HEAD	M16 x 30mm Cap Head Screw	3	.
8	M24_BS_WASHER	M24 BS BRIGHT METAL WASHER	1	.
9	M24_HEX_NUT	M24 Hex Nut	1	.
10	TD-1055-150	ANGLE 02	4	.
11	TD-1055-151	ANGLE 01	6	.
12	TD-1055-152	BLOCK RETAINING PANEL	5	.
13	TD-1055-153	BPE SLAB 01	2	.
14	TD-1055-154	BPE SLAB 02	4	.
15	TD-1055-155	BPE SLAB 03	4	.
16	TD-1055-156	STEEL PACKING PLATE	1	.
17	TD-1055-157	M24 TIE BAR	4	.
18	TD-1055-158	BPE SLAB 04	2	.
19	TD-1055-159	BPE SLAB 05	2	.
20	TD-1055-160	BASE PLATE	1	.



A	---/---/---	-----	A LINTERN	---	---	WIP
ISSUE	DATE	APPD	MOD. No.	DRN. BY	CHKD BY	APPD BY. STATUS
TOLERANCES UNLESS STATED	FINISH		ORIGINAL SCALE			
± mm	REMOVE ALL BURRS		1:10 DO NOT SCALE			
MATERIAL & SPEC.	SURFACE TEXTURE		UNLESS STATED			
USED ON						
SCIENCE AND TECHNOLOGY FACILITIES COUNCIL RUTHERFORD APPLETON LABORATORY, DIDCOT, OXON OX1109X.						
TITLE						
STATIC BEAM STOP						
MICE PHASE 2 - STEP 1						
MICE						
A0	TD-1055-161	SHEET			1 OF 1	A