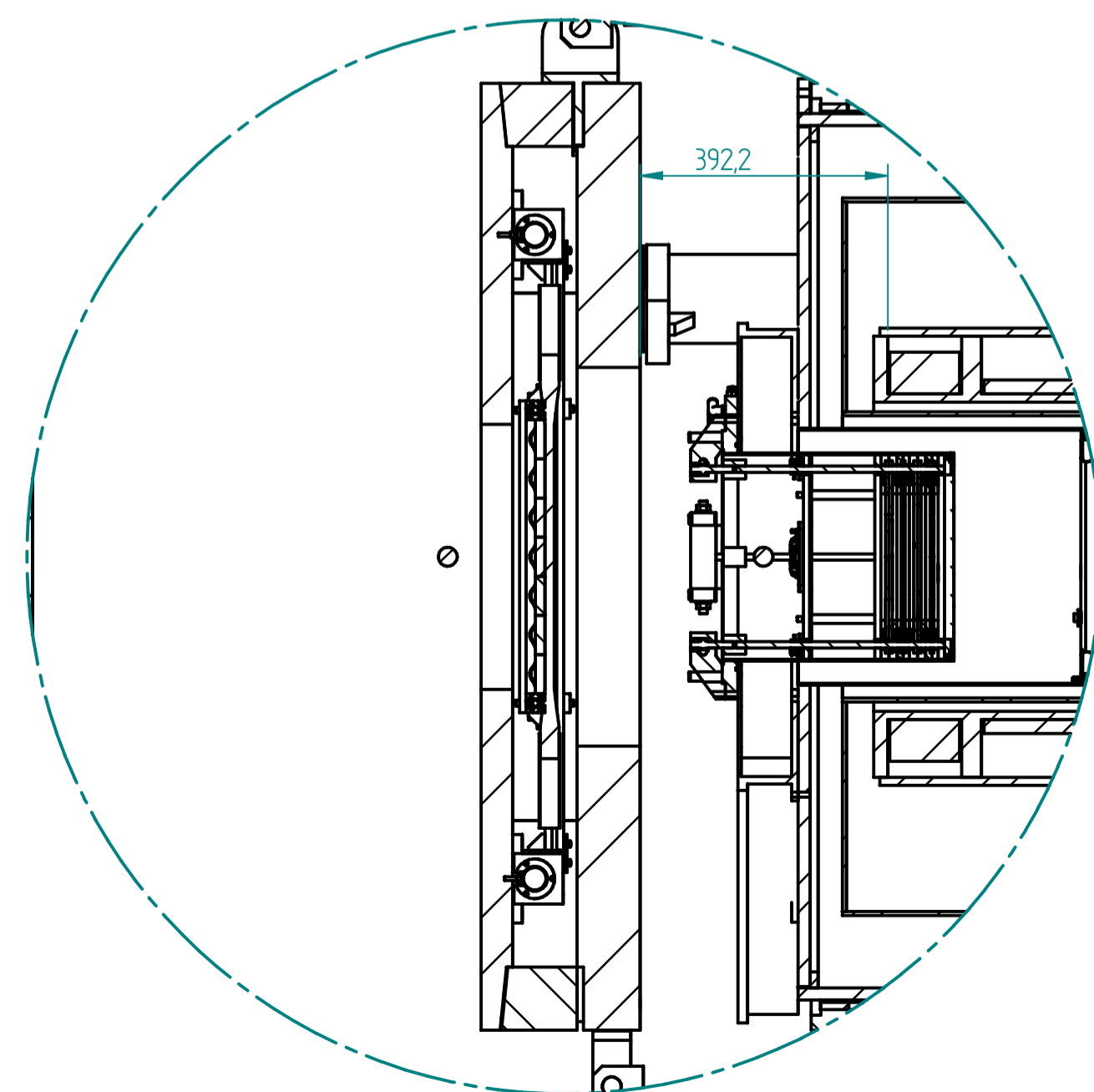
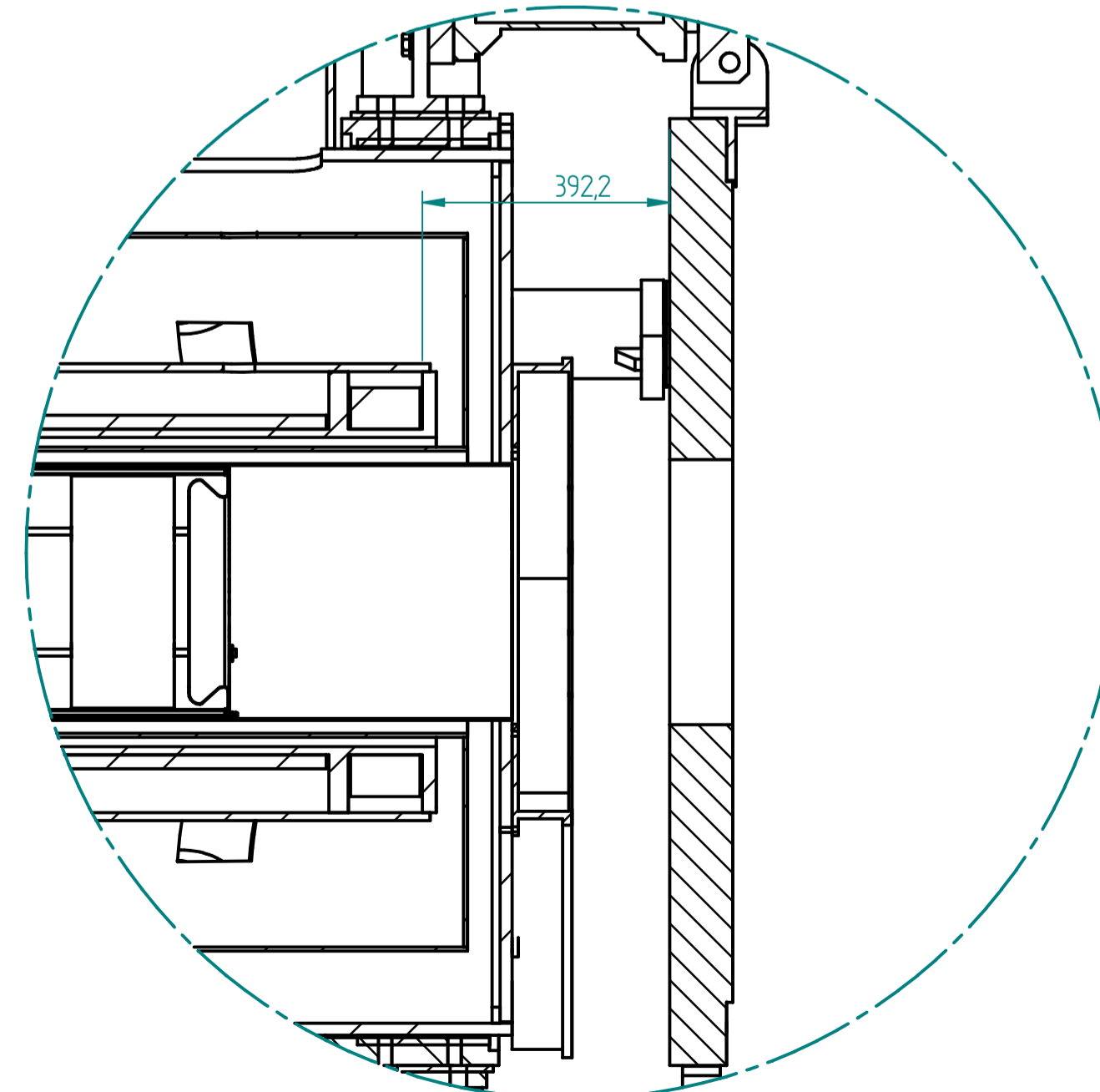


DETAIL A
1:20



DETAIL B
1:10



DETAIL C
1:10

| | | | | | |
|--|-----------|---------------------------------|--|--|---------|
| A Error: No reference | | J S TARRANT Error: No reference | | MANUFACTURE ONLY WHEN STATUS IS RELEASED Error: No reference | |
| ISSUE | DATE APPD | MOD. No. | DRAWN BY | CHKD BY | APPD BY |
| TOLERANCES UNLESS STATED | | | SURFACE TEXTURE | | |
| LINEAR ± 20 | | | N/A / μm | | |
| ANGULAR ± | | | N/A | | |
| DRAWING CONFORMS TO BS 8888 TOLERANCING ISO 8015 | | | MATERIAL & SPEC. MASS 0.000 kg | | FINISH |
| DIMENSIONS IN mm UNLESS STATED | | | REMOVE ALL BURRS | | |
| PROJECTS & MECHANICAL ENGINEERING GROUP (RAL) | | | USED ON FOR P HANLET, RE EMAIL 24/7/12 | | |
| HARWELL SCIENCE & INNOVATION CAMPUS, RUTHERFORD APPLETON LABORATORY, CHILTON, OXON, OX11 0QX | | | | | |
| X-SECTION FOR P HANLET | | | | | |
| MICE INTEGRATION ENGINEERING | | | | | |
| A1 TD-1189-1143 | | | SHEET 1 of 1 | | A |