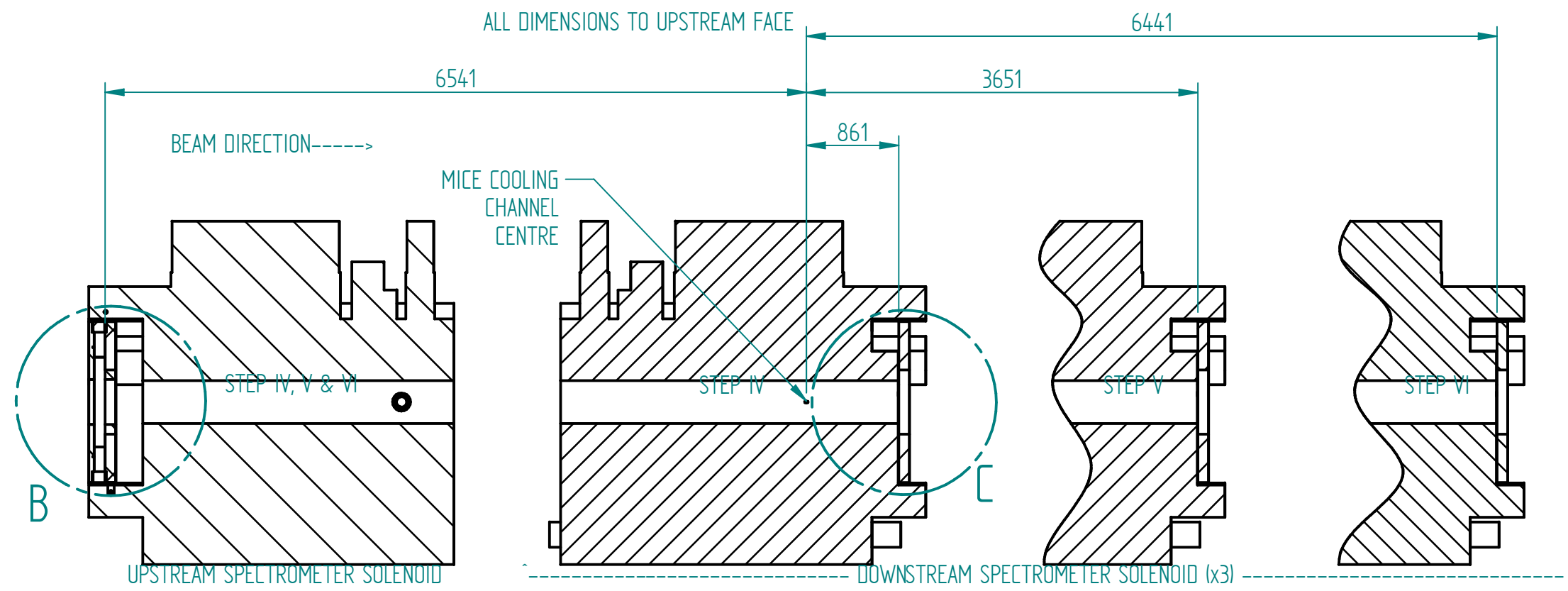
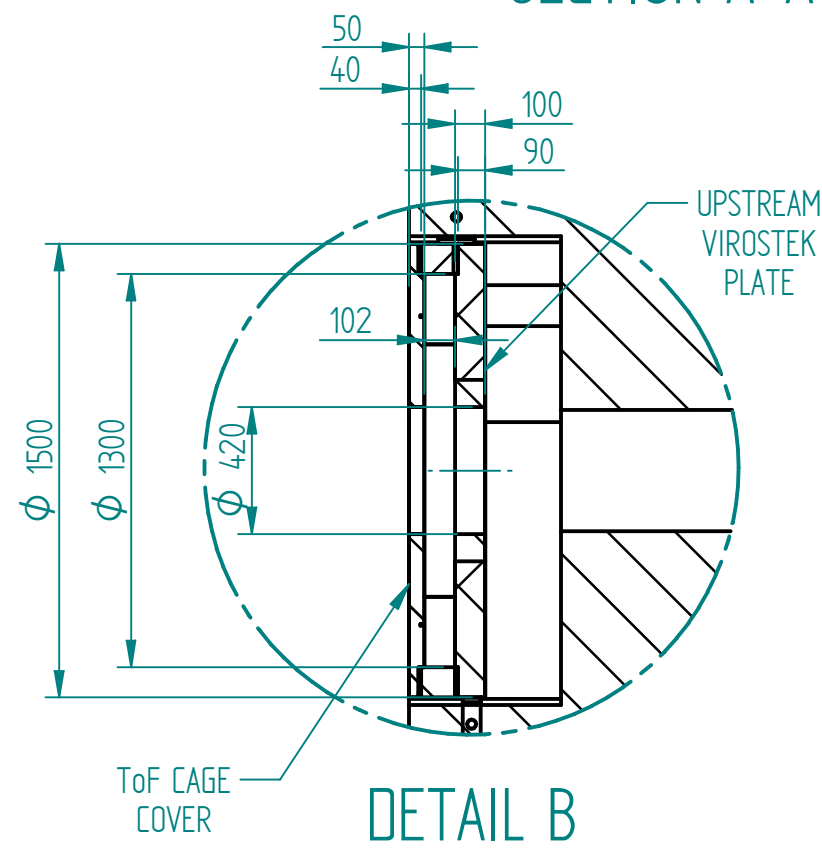


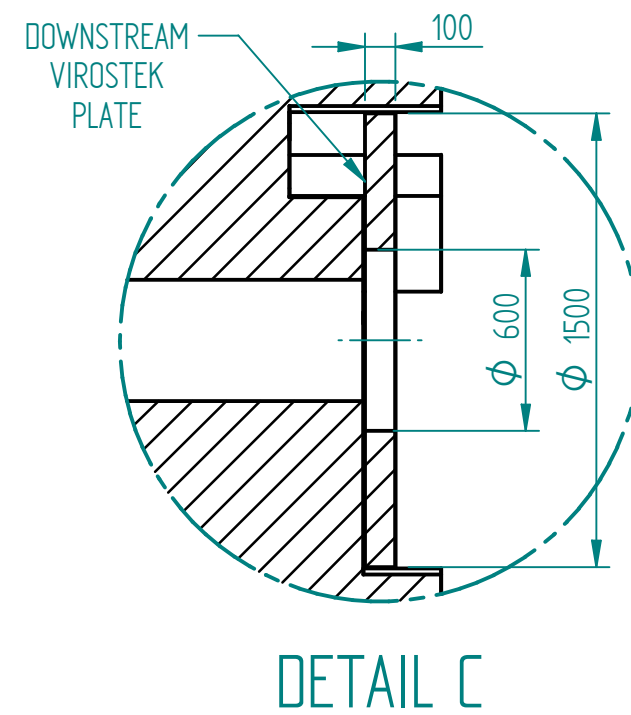
**FOR DISCUSSION ONLY**  
**DRAFT - 02/10/12**



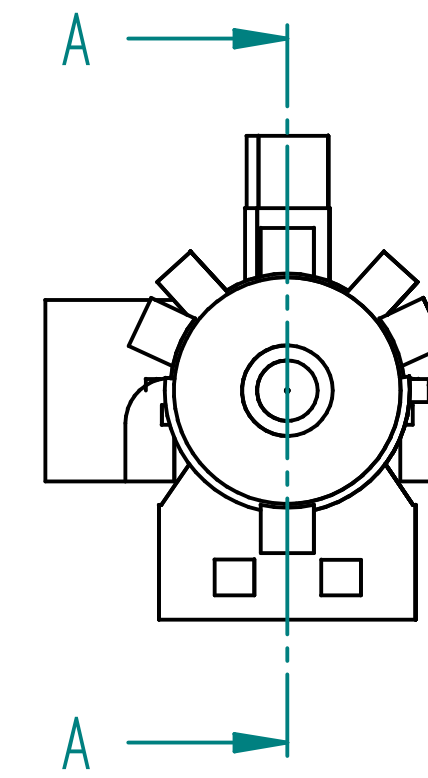
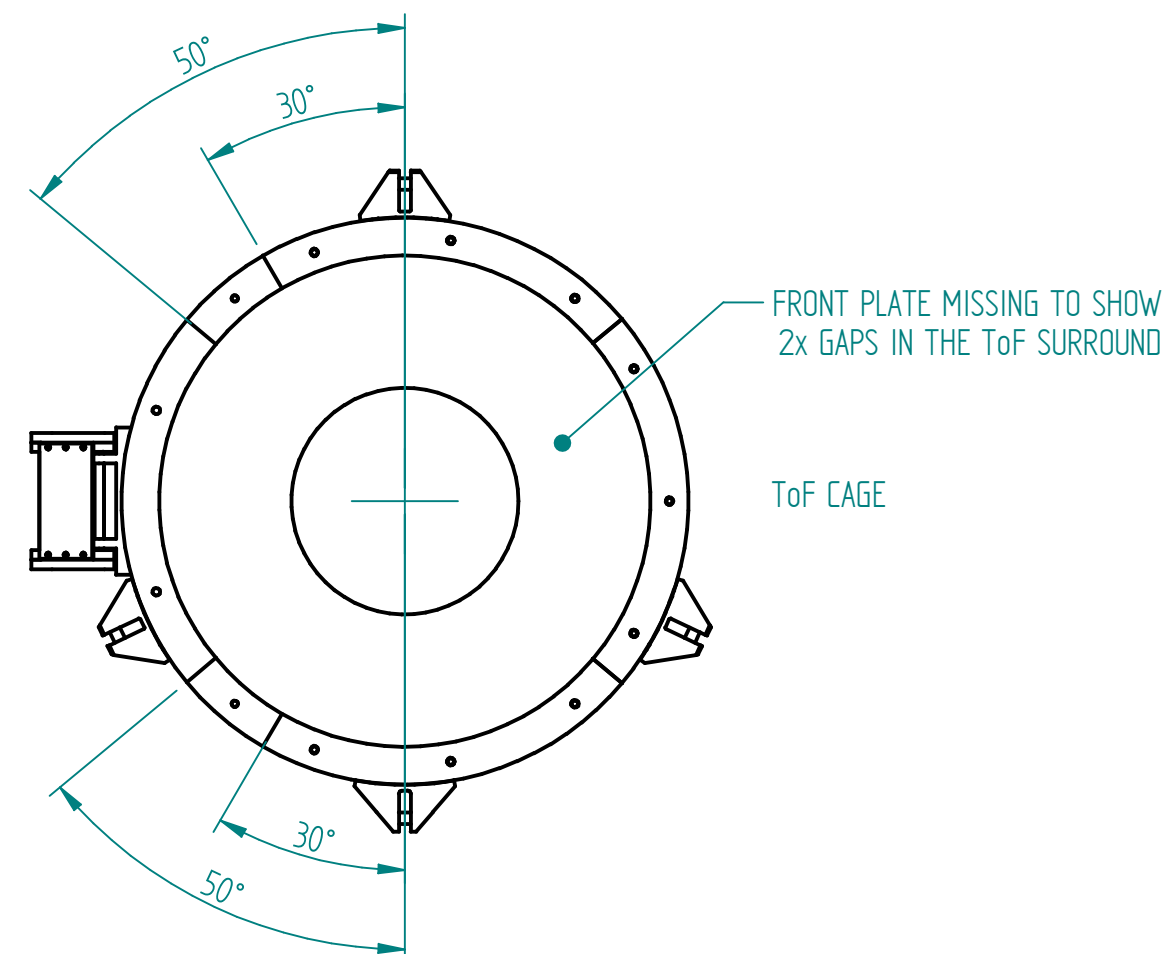
SECTION A-A



DETAIL B



DETAIL C



A Error: No reference		J S TARRANT Error: No reference		MANUFACTURE ONLY WHEN STATUS IS RELEASED Error: No reference		STATUS	
ISSUE	DATE APPD	MOD. No.	DRAWN BY	CHKD BY	APPD BY	SURFACE TEXTURE	
DRAWING CONFORMS TO BS 8888 TOLERANCING ISO 8015			TOLERANCES UNLESS STATED LINEAR ± N/A ANGULAR ± N/A		N/A μm		
DIMENSIONS IN mm UNLESS STATED			MATERIAL & SPEC. MASS 0.000 kg		FINISH N/A REMOVE ALL BURRS		
PROJECTS & MECHANICAL ENGINEERING GROUP (RAL)				USED ON MICE MAGNETIC MODELLING			
HARWELL SCIENCE & INNOVATION CAMPUS, RUTHERFORD APPLETON LABORATORY, CHILTON, OXON, OX11 0QX							
<b>VIROSTEK PLATE INFORMATION</b>							
<b>MICE INTEGRATION ENGINEERING</b>							
MICE TDR126							
A2		TD-1189-1167			SHEET 1 of 1		A