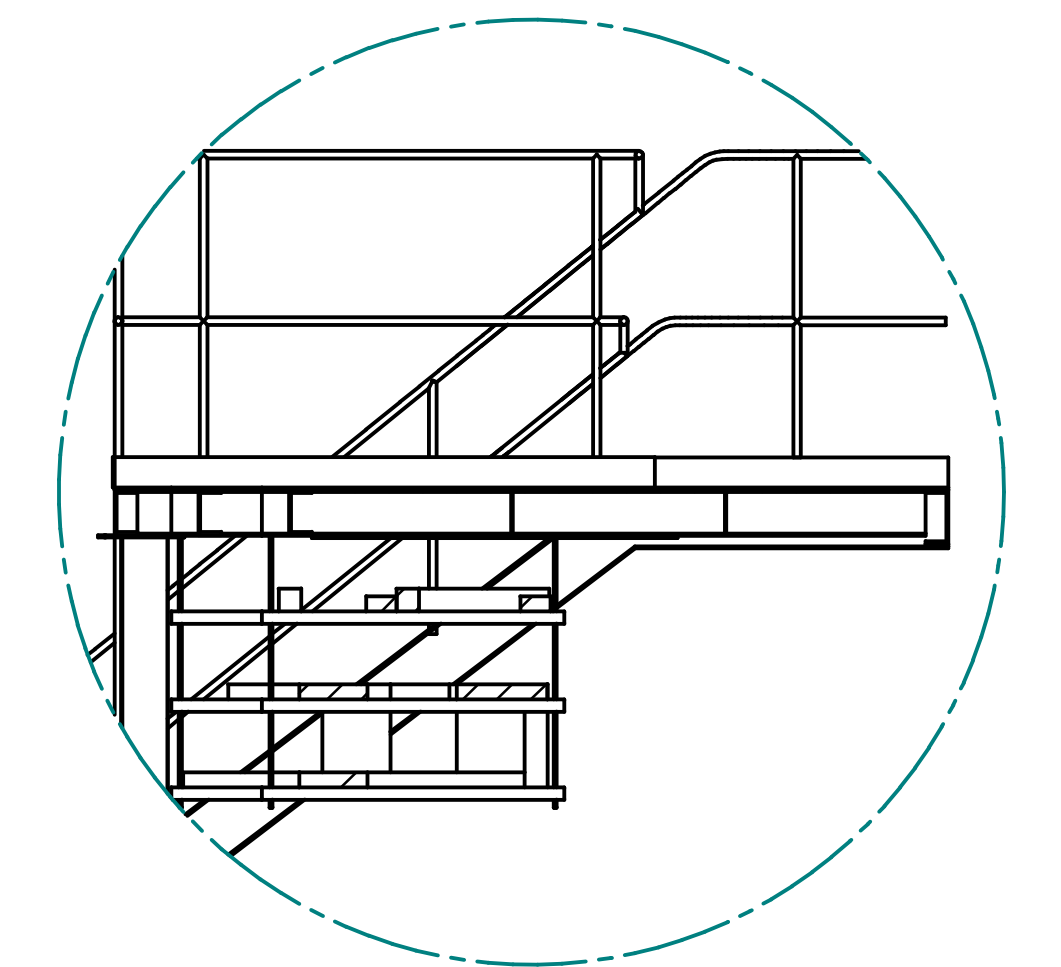
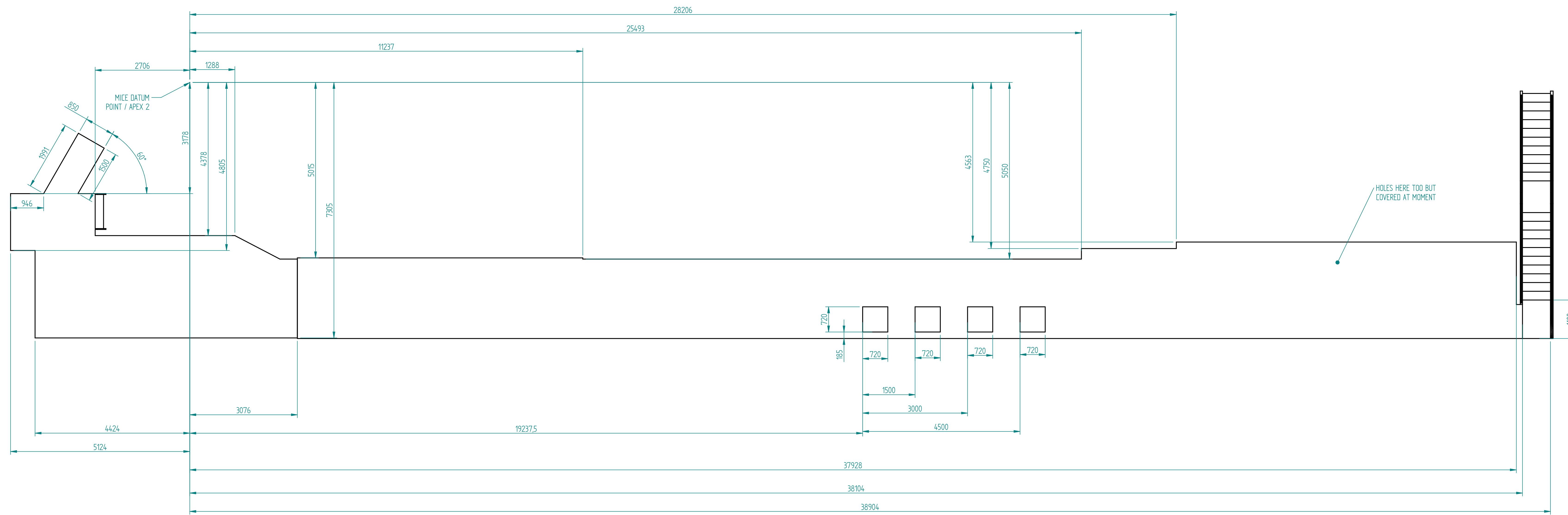
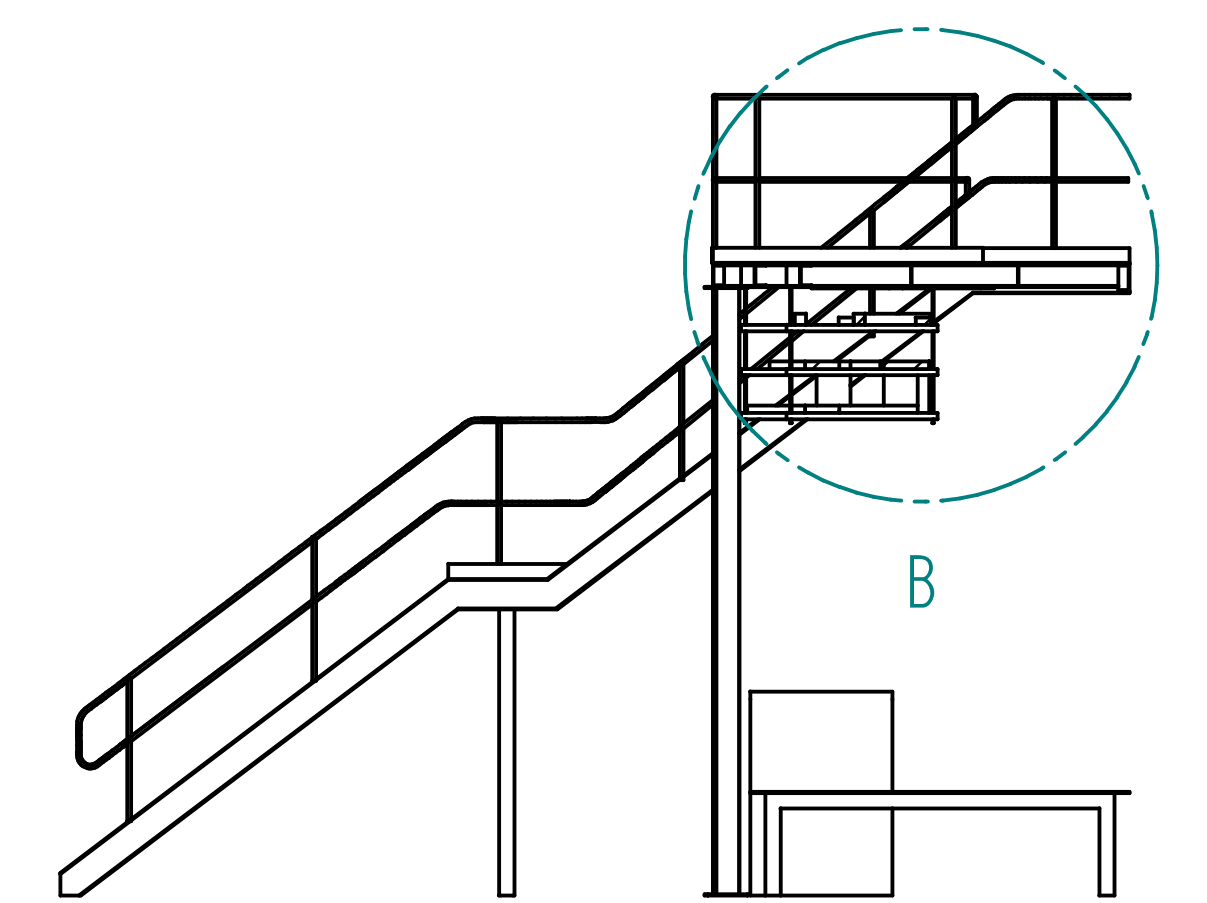


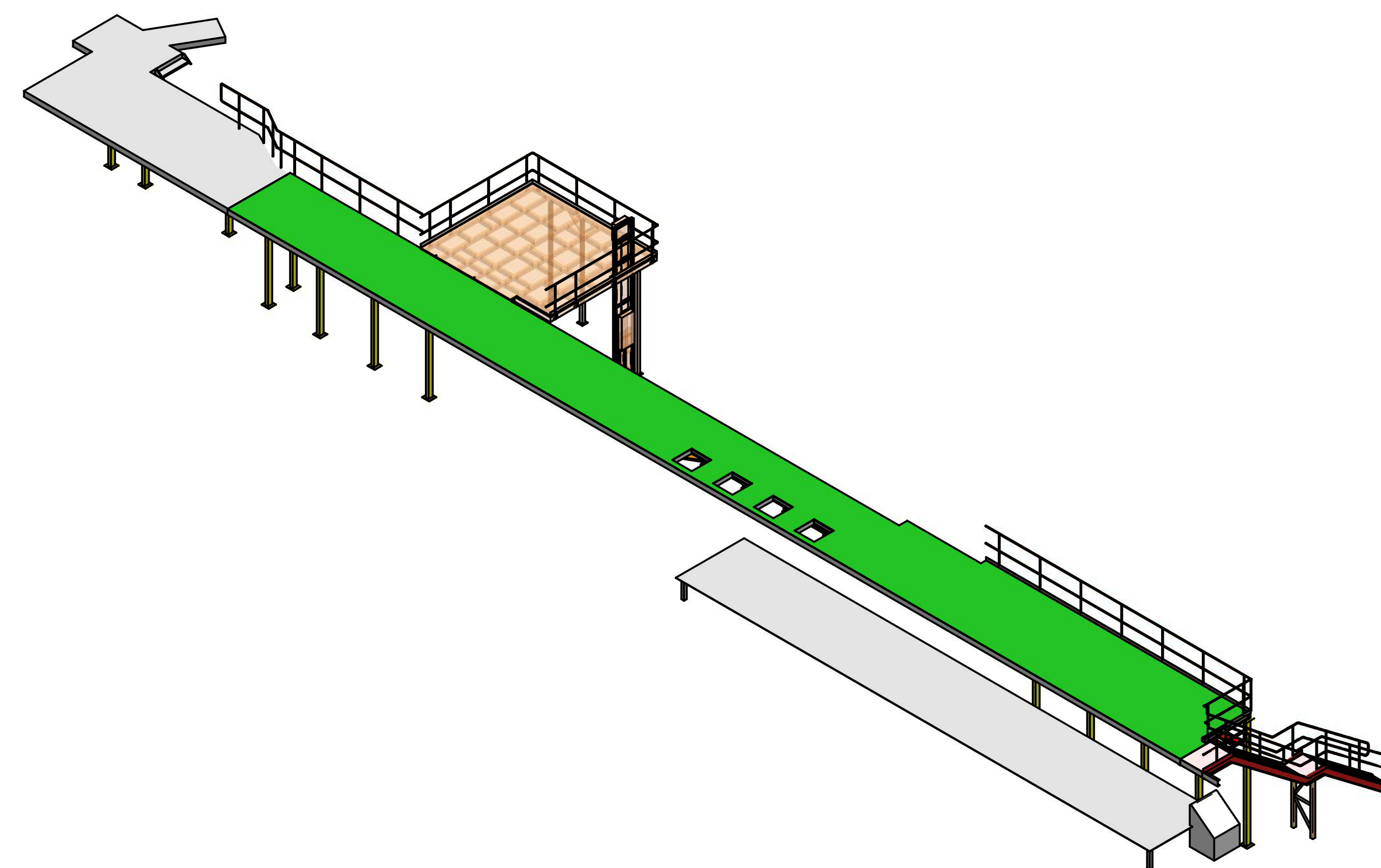
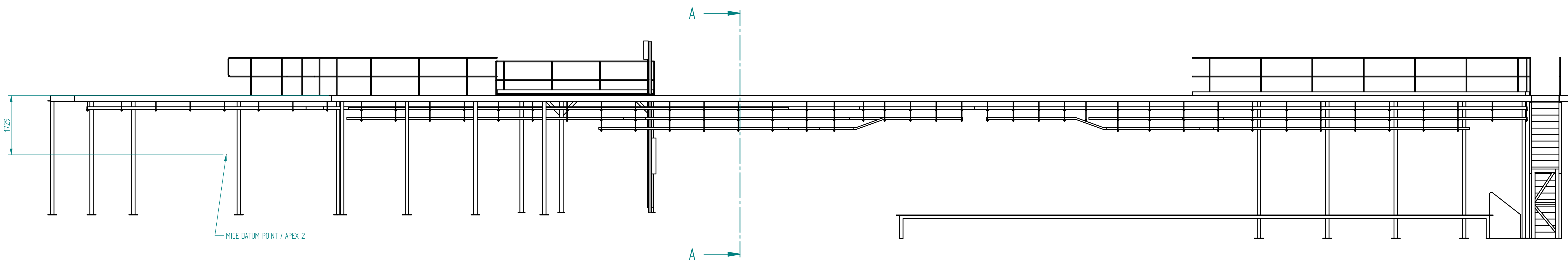
**FOR REVIEW ONLY
DRAFT - 09/10/12**



DETAIL B



SECTION A-A



| | | | | | |
|--|-----------|-------------------|---------------------------|-------------------|---------|
| A0 TD-1189-1235 A | | A0 TD-1189-1235 A | | A0 TD-1189-1235 A | |
| ISSUE | DATE APPD | MOD. No. | DRAWN BY | CHKD BY | APPD BY |
| TOLERANCES UNLESS STATED | | | SURFACE TEXTURE | | |
| LINEAR ± 0.10 | | | N/A μm | | |
| ANGULAR ± 0.10 | | | N/A | | |
| MATERIAL & SPEC. MASS 0.000 kg | | | FINISH N/A | | |
| DIMENSIONS IN mm UNLESS STATED | | | REMOVE ALL BURRS | | |
| PROJECTS & MECHANICAL ENGINEERING GROUP (RAL) | | | USED ON MAGNETIC ANALYSIS | | |
| HARWELL SCIENCE & INNOVATION CAMPUS, RUTHERFORD APPLETON LABORATORY, CHILTON, OXON, OX11 0QX | | | | | |
| NORTH MEZZ (FOR PS) | | | | | |
| MICE INTEGRATION ENGINEERING | | | | | |
| A0 TD-1189-1235 | | SHEET | | 1 of 1 | |