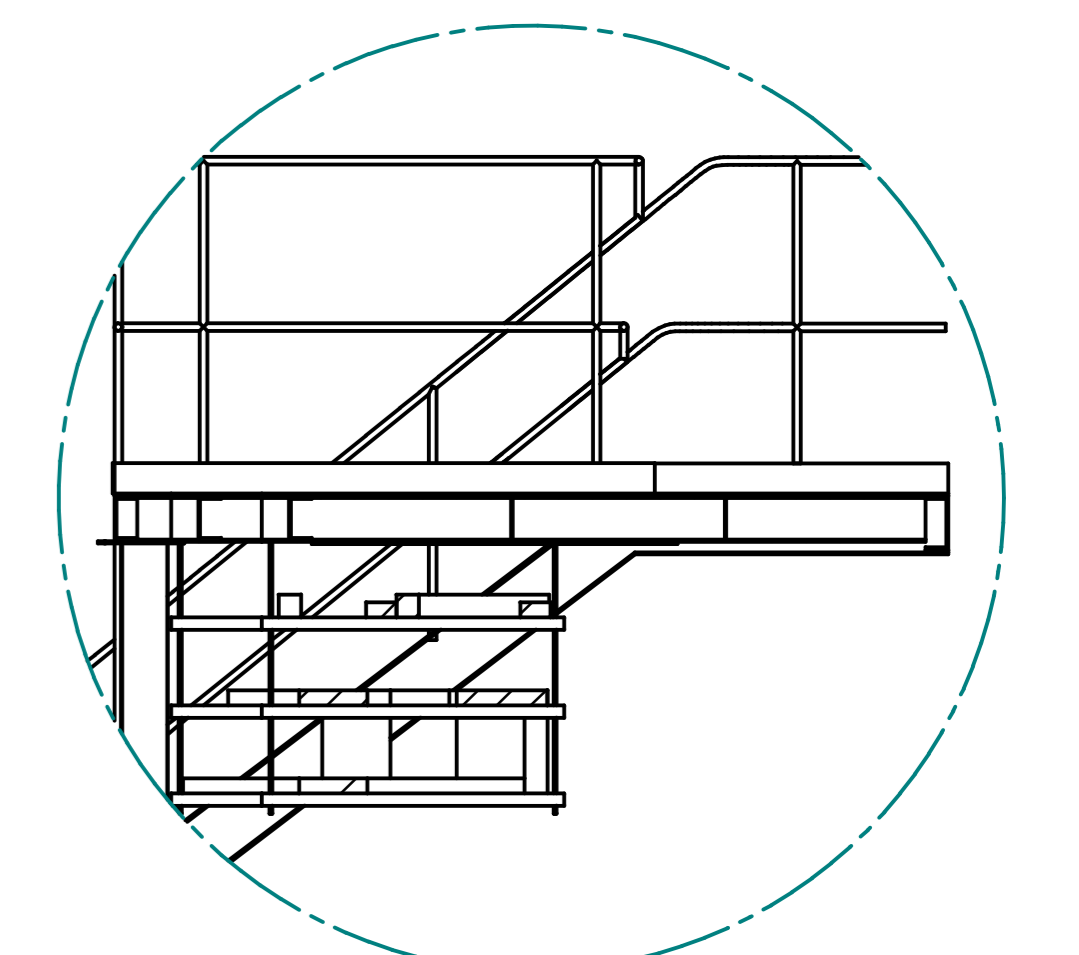
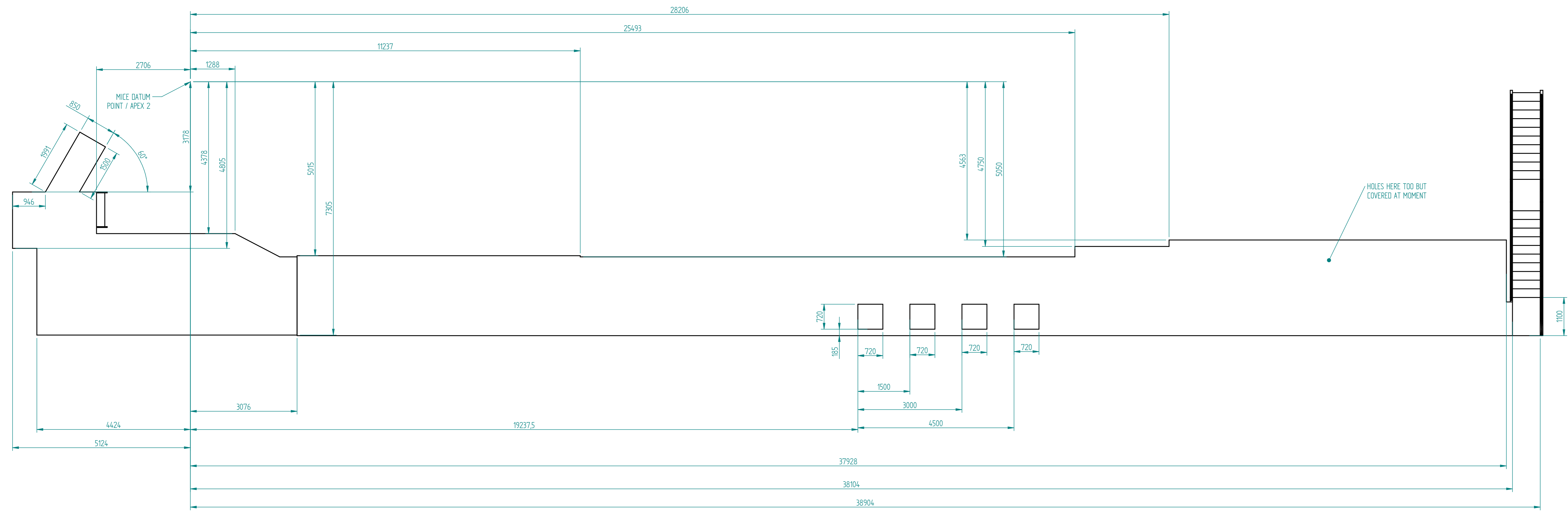
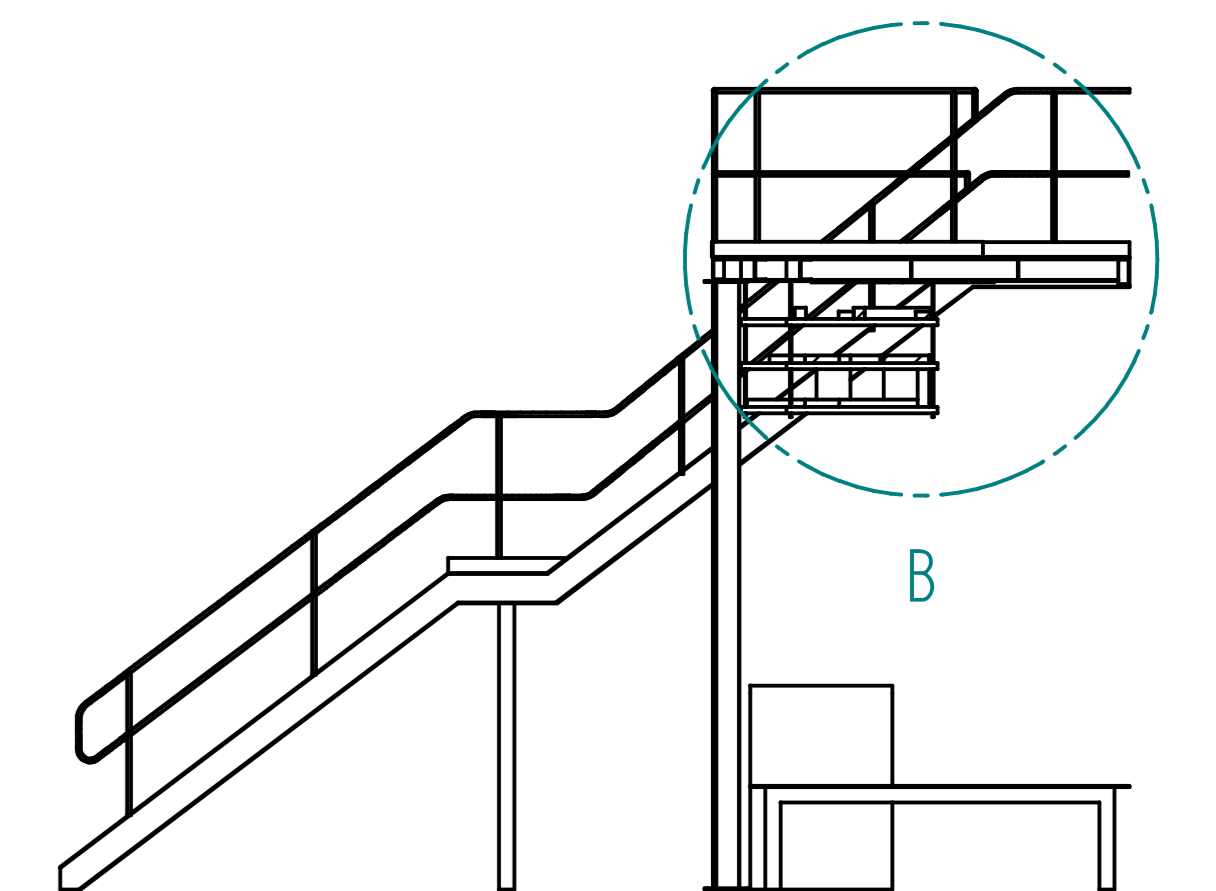


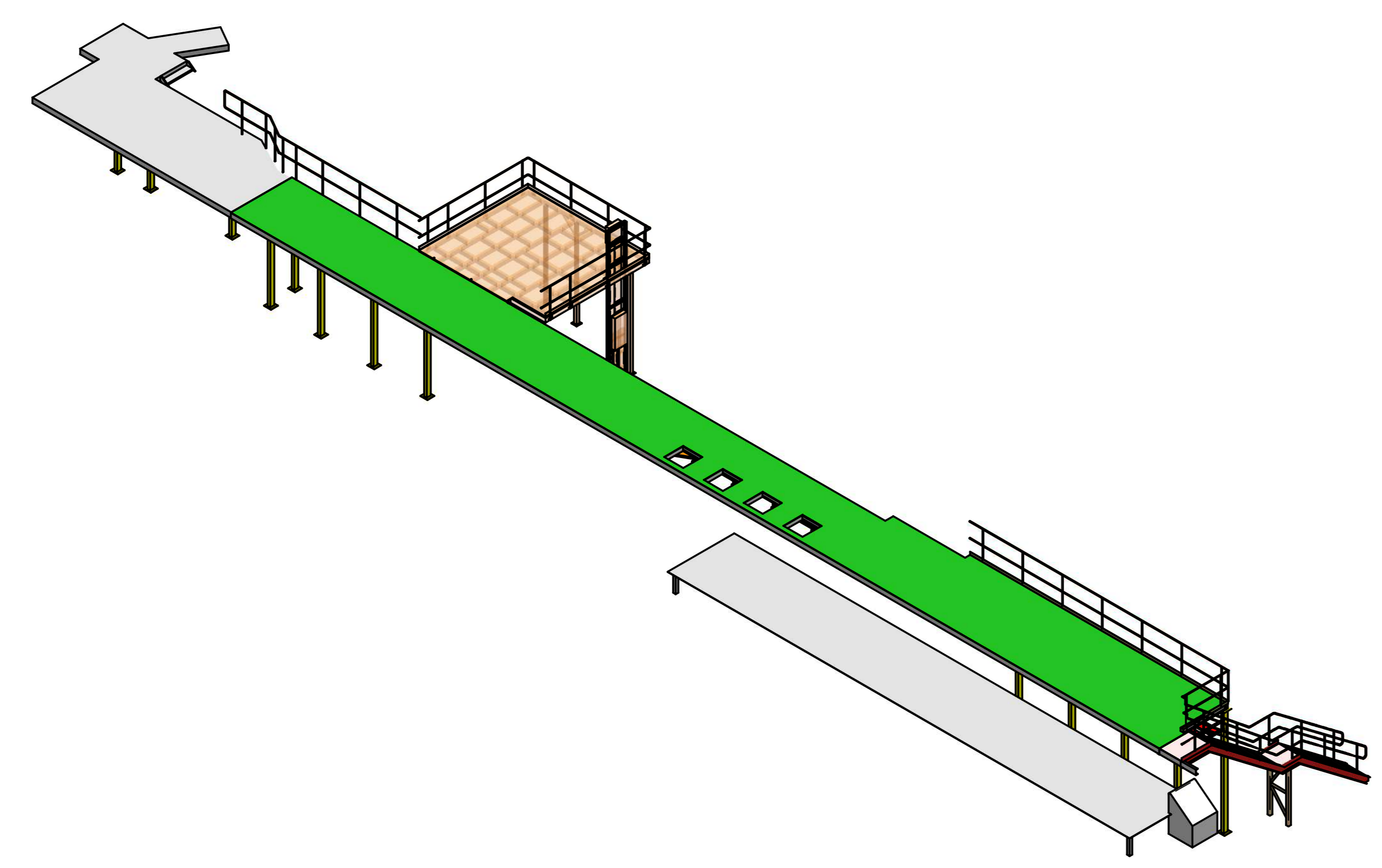
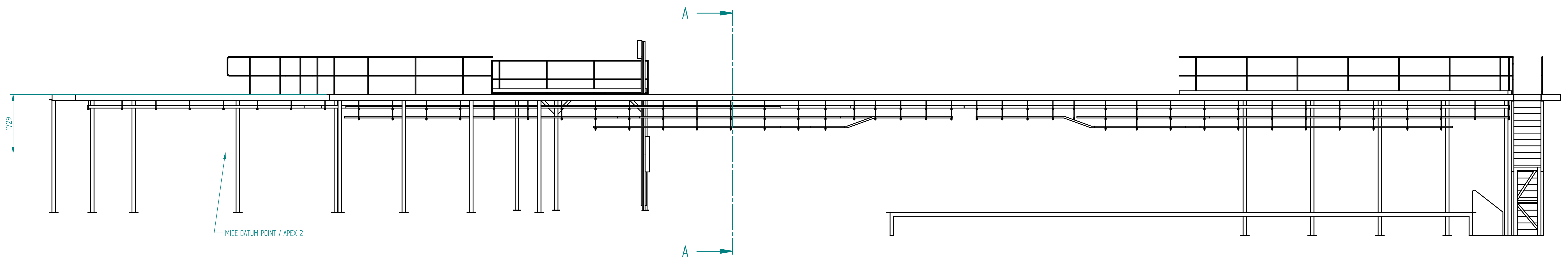
**FOR REVIEW ONLY
DRAFT - 09/10/12**



DETAIL B



SECTION A-A



A0 TD-1189-1235 A		A0 TD-1189-1235 A	
ISSUE	DATE APPD	MOD. No.	MANUFACTURE ONLY WHEN RELEASED
DRAWN BY		CHKD BY	APPD BY
TOLERANCES UNLESS STATED		SURFACE TEXTURE	
LINEAR ± 0.10		N/A μm	
ANGULAR ± 0.05		N/A	
DRAWING CONFORMS TO BS 8888		MATERIAL & SPEC. MASS 0.000 kg	
TOLERANCING ISO 8015		FINISH REMOVE ALL BURRS	
DIMENSIONS IN mm UNLESS STATED		USED ON MAGNETIC ANALYSIS	
PROJECTS & MECHANICAL ENGINEERING GROUP (RAL)		HARWELL SCIENCE & INNOVATION CAMPUS, RUTHERFORD APPLETON LABORATORY, CHILTON, OXON, OX11 0QX	
NORTH MEZZ (FOR PS)			
MICE INTEGRATION ENGINEERING			
A0 TD-1189-1235		SHEET 1 of 1	