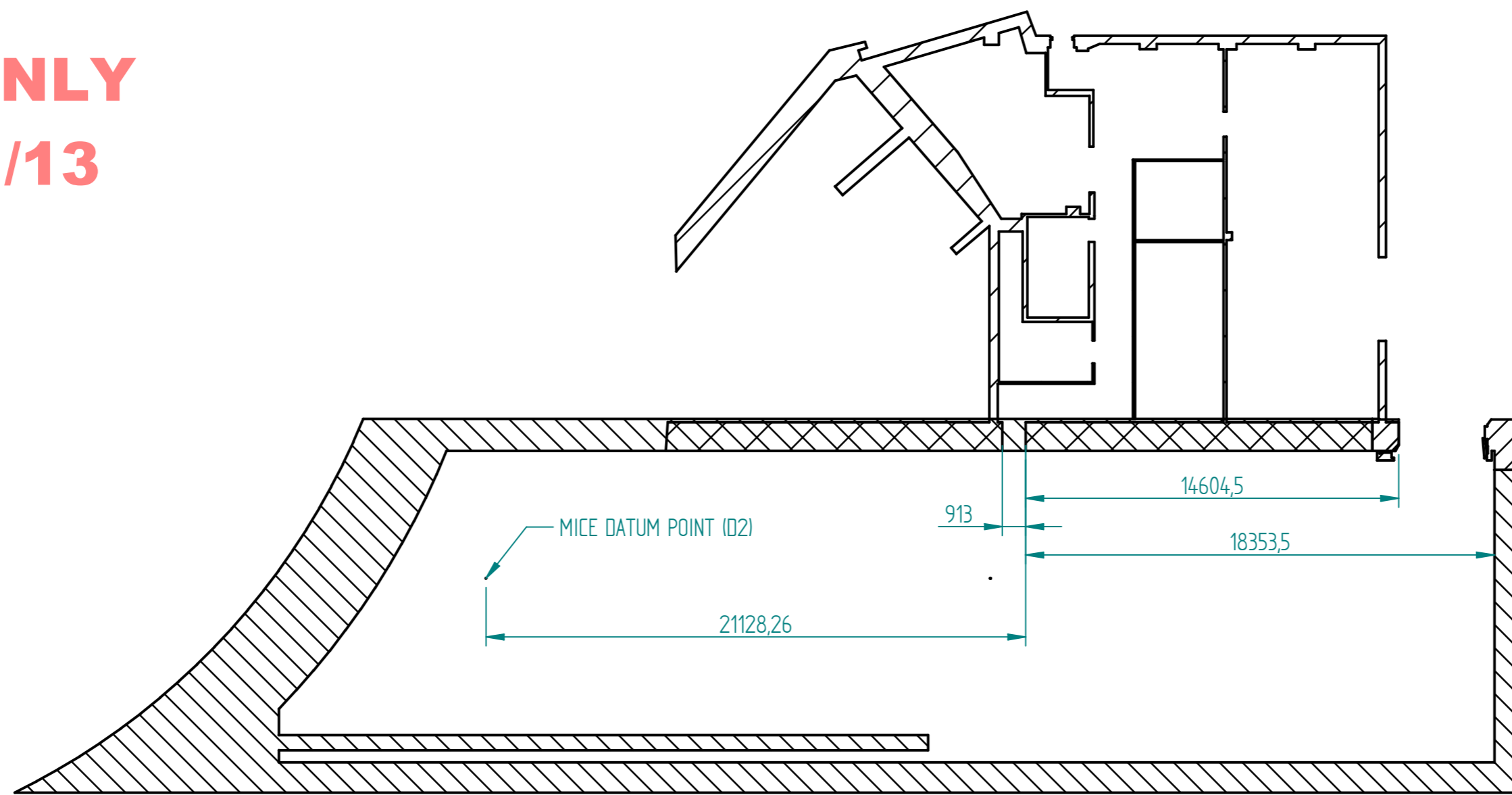
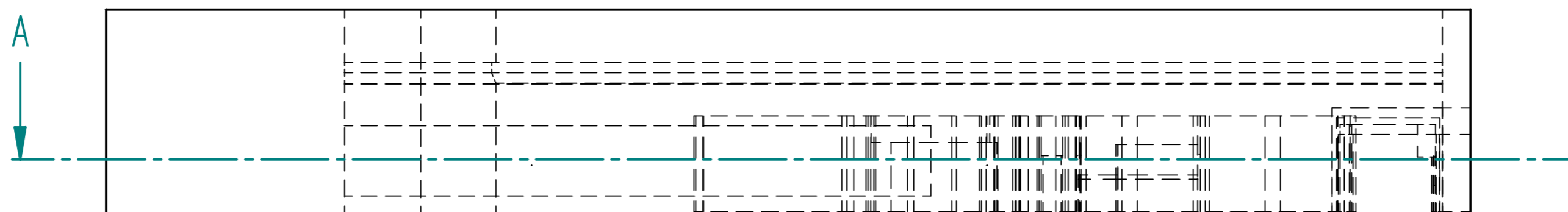


**FOR REVIEW ONLY  
DRAFT - 14/01/13**



SECTION A-A



A Error: No reference		Error: No reference		Error: No reference		MANUFACTURE ONLY WHEN STATUS IS RELEASED		Error: No reference		
ISSUE	DATE APPD	MOD. No.	DRAWN BY	CHKD BY	APPD BY	TOLERANCES UNLESS STATED		SURFACE TEXTURE		
			J S TARRANT			LINEAR ± N/A		N/A		
						ANGULAR ± N/A		μm		
DRAWING CONFORMS TO BS 8888 TOLERANCING ISO 8015			MATERIAL & SPEC.		MASS 0.000 kg		FINISH			
DIMENSIONS IN mm UNLESS STATED							N/A			
PROJECTS & MECHANICAL ENGINEERING GROUP (RAL)						USED ON OPERA MODELLING				
HARWELL SCIENCE & INNOVATION CAMPUS, RUTHERFORD APPLETON LABORATORY, CHILTON, OXON, OX11 0QX										
<b>MLCR &amp; HALL ENTRANCE</b>										
<b>MICE INTEGRATION ENGINEERING</b>										
MICE TDR126										
A2		TD-1189-1351				SHEET		1 of 1		A